

Pico Wedge

P/N: X1112-US101-H3 / X1112-EU101-H3



Functional Specifications

RF air protocol	EPC Class 1 Gen 2; ISO18000-6C
Operating frequency	UHF 902-928 MHz (US); 866-868 MHz (EU)
IC type	Alien Higgs-3
Memory configuration	96-EPC bits; 512-bit user memory
Functionality	Read / write (user programmed)
Memory – expected read / write cycles	100,000 cycles at 77°F (25°C)
Data retention	Up to 50 years ¹
Read rate	400 tags per second for 96-EPC bit number
Warranty (limited)	1 year

Performance Characteristics

Read range in metal (2W ERP) ²	Up to 8.2 ft (2.5 m)
Polarization	Linear

Physical Specifications

Material	Engineering grade nylon polymer
Mounting system	Plug in, epoxy (optional)
Color	Green

Environmental and Industry Compliance

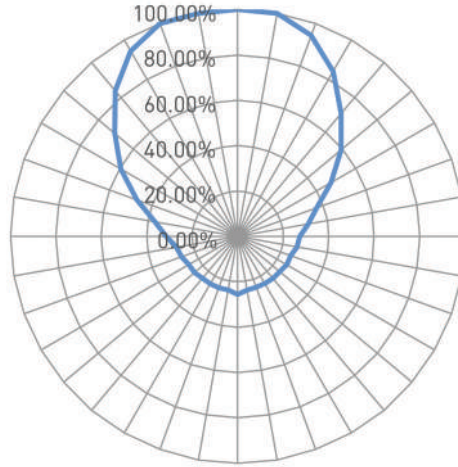
RoHS	EU Directive 2002/95/EC
ATEX	ATEX Compliant
MIL-STD	MIL-STD-810F



¹ The chip data retention is based on chip operating under general environment conditions.

² Actual read range may vary based upon use case and antenna power.

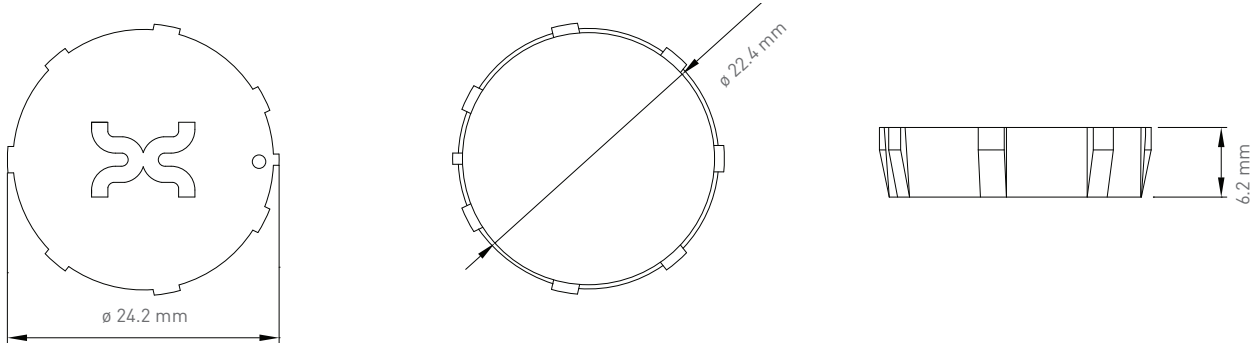
Radiation Pattern



Operational and Environmental Specifications

Operational temperature	
Cold	-22°F (-30°C)
Dry heat	+185°F (+85°C)
Thermal shock	-22°F to 185°F (-30°C to +85°C); cycled
Application temperature	
Cold	-22°F (-30°C)
Dry heat	+302°F (+150°C)
Humidity	
Operational humidity	5%-95% non-condensing
Storage humidity	5%-95% non-condensing

Product Dimensions and Weight



Dimensions (mm)	ø 24.2 x 6.2
tolerance	+/- 0.3
Dimensions (in)	ø 0.95 x 0.24
tolerance	+/- 0.012
Weight	0.13 oz (3.7 g)

Cylindrical Socket Dimensions for Flush-mounting

Cylindrical socket dimensions / tolerance (mm)	ø 23.5 (+/- 0.25) x 6.5 (+/- 0.2)
Cylindrical socket dimensions / tolerance (in)	ø 0.93 (+/- 0.01) x 0.26 (+/- 0.008)