

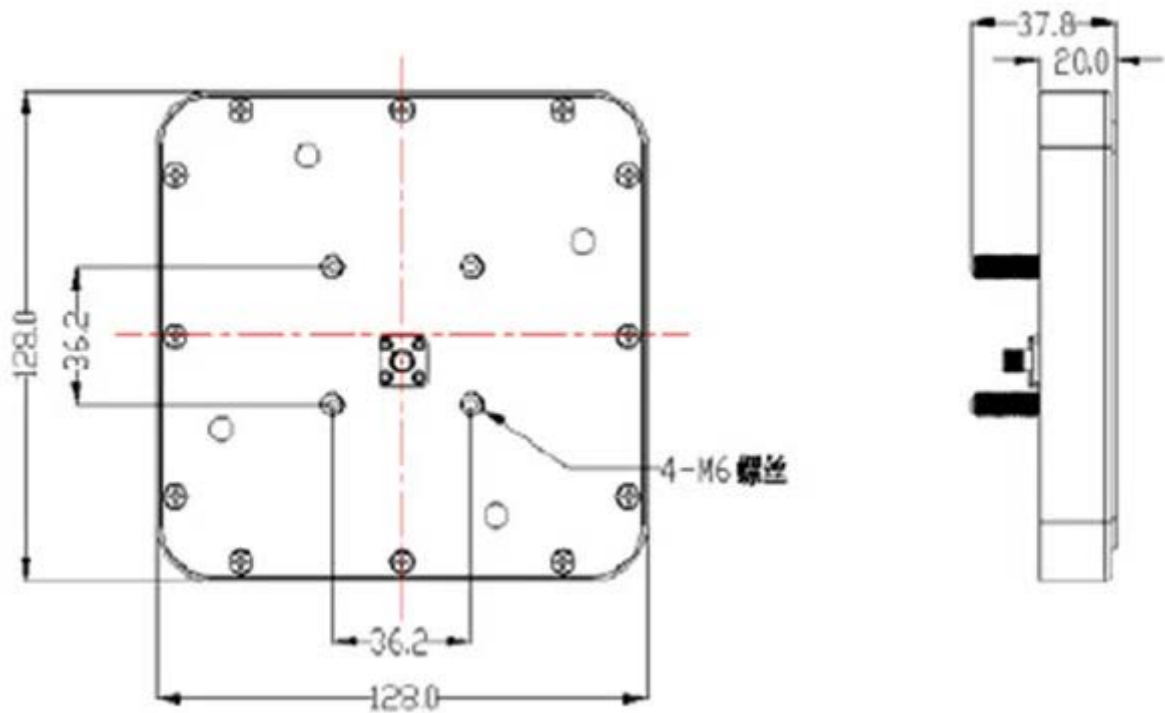
## Installation guide:

The antenna can be installed on steel framed structure or bracket by own antenna bracket, and connect with reader with coaxial line.

The antenna can be installed horizontally or vertically, it is decided by installation location, the angle can be adjusted after installation according to the real environment.

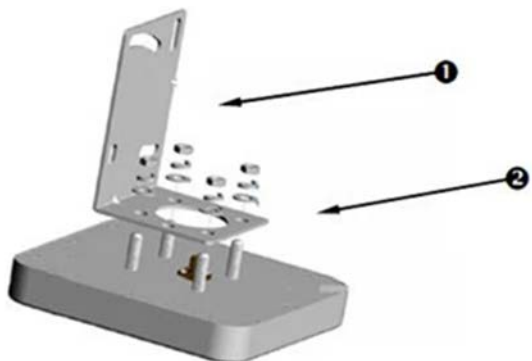
Antenna bracket is an optional accessory, you can choose according to your special requirement.

## Installation Dimension:



## Installation Steps:

Step 1: Fix the L board on the antenna by using M6 screw, elastic washer and plain washer

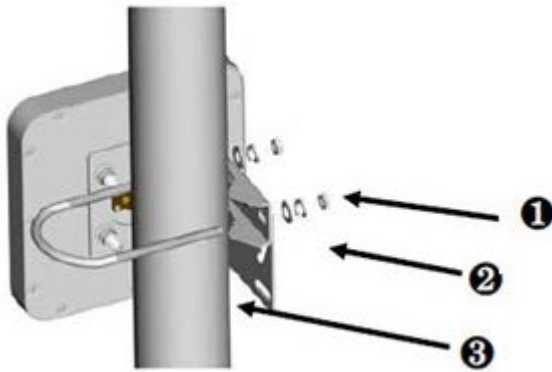


1	L board(bracket)
2	M6 screw, elastic washer and plain washer,

1.2: The L board have been fixed on the antenna

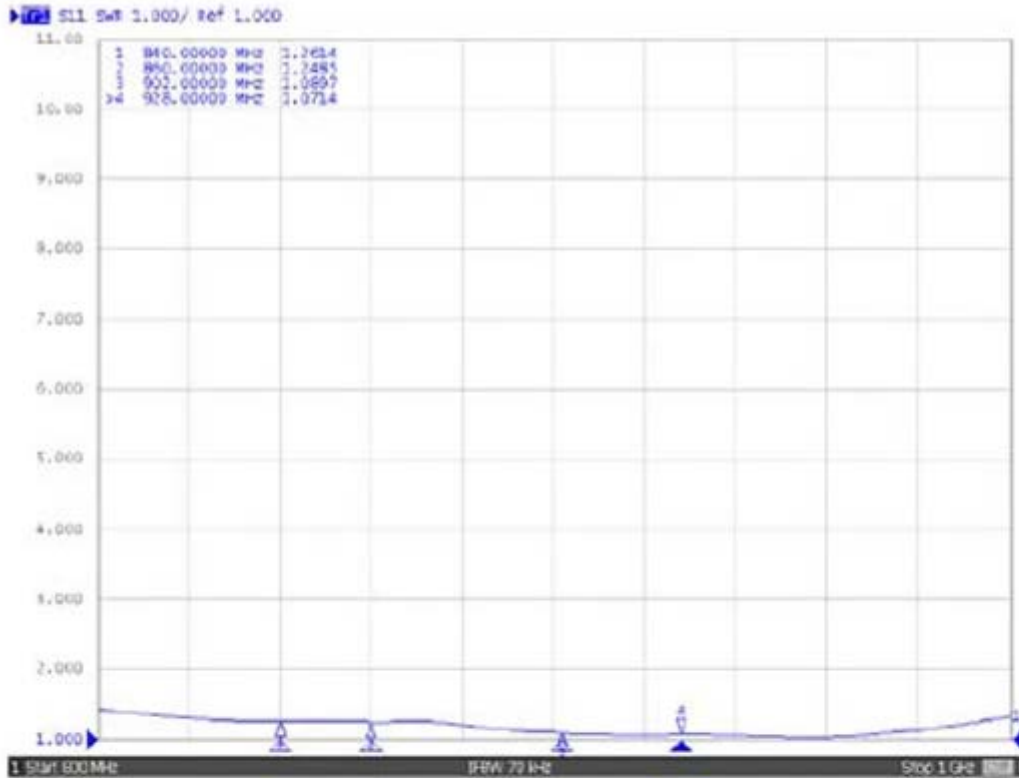


Step 2: Please use M6 screw,M6 U style screw bolt elastic washer and plain washer and “Dog tooth” to fix antenna on pole

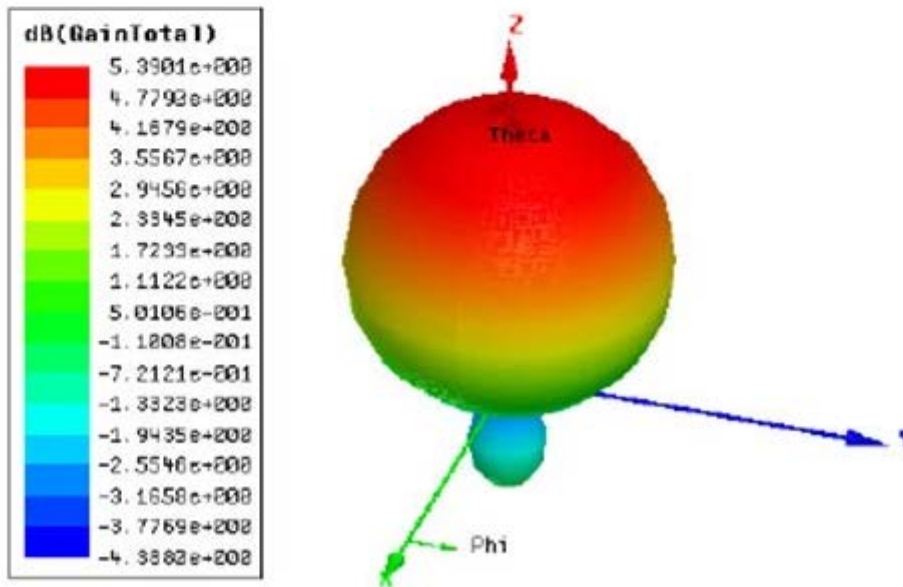


1	M6 screw elastic washer and plain washer,
2	Dog tooth
3	M6 U style screw bolt

### Antenna performance figure :



(The VSWR)



( The radiation pattern )

### Common Problems and Attentions:

1. The antenna is a circular polarization antenna. Please kindly adjust the angle to get the best reading performance in practical applications.
2. The antenna can be used at the outdoor environments, but it's not good to use it in an acid/alkali environment.