



Omni-ID Max® SQ

Omni-ID Max SQ is a long range durable RFID tag optimized for attachment to metal assets. Designed with a broad read angle and with a global RF response, Omni-ID Max SQ is compatible with handheld and portal use cases, anywhere on the globe. Featuring premium materials and components Omni-ID Max SQ offers market leading consistency and reliability in outdoor and industrial applications.

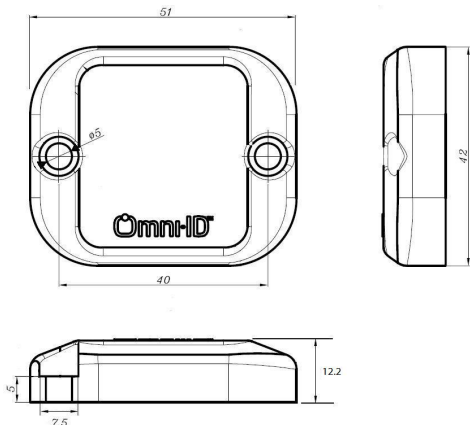
Applications

With a long read range and small footprint, the Max SQ offers outstanding performance-to-size ratio and global compatibility, making it ideal for manufacturing and logistics applications including tracking:

- ▶ Returnable transit items (within global supply chains).
- ▶ Automotive Stillages.
- ▶ Large rental equipment

Physical Specifications

Encasement	Polycarbonate
Size (mm) (tolerance)	51 x 42 x 12.2 (+/-1.0)
Size (in) (tolerance)	2.0 x 1.65 x 0.48 (+/-0.04)
Weight (g)	19.5



Dimensions stated in mm

RF Specifications

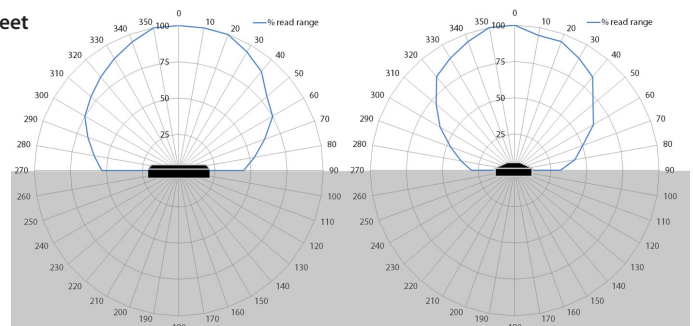
Protocol	EPC Class 1 Gen2
Frequency Range (MHz)	860–960 (global)
Read Range (Fixed reader) ¹	Up to 8.0 (global)
Read Range (Handheld reader) ¹	Up to 4.0 (global)
Material Compatibility	Optimized for metal
IC Type (chip)	Alien H3
Memory ²	EPC - 96bits User - 512bits TID - 64bits

1. Quoted performance achieved using standard testing methodology. Read range will vary with reader hardware and output power.
2. EPC and User memory are reprogrammable, TID is locked at point of manufacture.

Radiation Patterns

Large metal

Sheet



Related Products and Services

- ▶ **Omni-ID Max Rigid** - High performance, long range RFID tag product for outdoor applications involving metal.
- ▶ **Omni-ID Max SQ-D**- Extreme durability, long range and global operability in a small, square footprint, on metal RFID tag.
- ▶ **Omni-ID IQ 800P**- Large premium label for plastic assets.
- ▶ **Service Bureau** - Omni-ID offers a full service bureau for printing and pre-encoding Omni-ID tags at point of manufacture.



Environmental Specification

Operating Temperature	-40 to +85 °C
Long term Max Temperature ¹ exposure - (days,weeks,years)	+85 °C
Short term Max Temperature ¹ exposure - (minutes,hours)	+105 °C
IP Rating	IP68
Shock and Vibration	MIL STD 810-F
Impact	25kg from 1m
Attachment	Manual (standard) Premium film adhesive (option) Standard foam adhesive (option) Premium foam adhesive (option)
Certifications	RoHS approved CE approved ATEX/IECEX certified (option) US&Canada (C1D1/D2) certified (option)
Warranty	3 years

1. Excludes adhesive options, consult adhesive data sheets for recommended temperature ratings.

Ordering Information

Order Numbers	024 - GS :304 (ATEX/IECEX certified) :307 (US&Canada (C1D1/D2) certified) :502 (film adhesive), :507 (std. foam), :508 (premium foam) :509 (3.2mm rivet washer) :701 (Standard Service Bureau) :702 (Custom Service Bureau)
---------------	---

For more information, contact:

Omni-ID Corporate Headquarters:

1200 Ridgeway Ave
Rochester, NY 14615 USA

European Office:

The Enterprise Centre
Coxbridge Business Park
Alton Road, Farnham, Surrey
GU10 5EH, United Kingdom

Asia Office:

Process Export zone
East of Road No.4 and South of Road No.2
Chengyang District
Qingdao
266113, P.R. China

For product or technology inquiries:

Email customer.services@omni-id.com

032012

